

DT16T Standard TRIACs

DT16T Standard TRIACs SILICON BIDIRECTIONAL THYRISTORS

General description

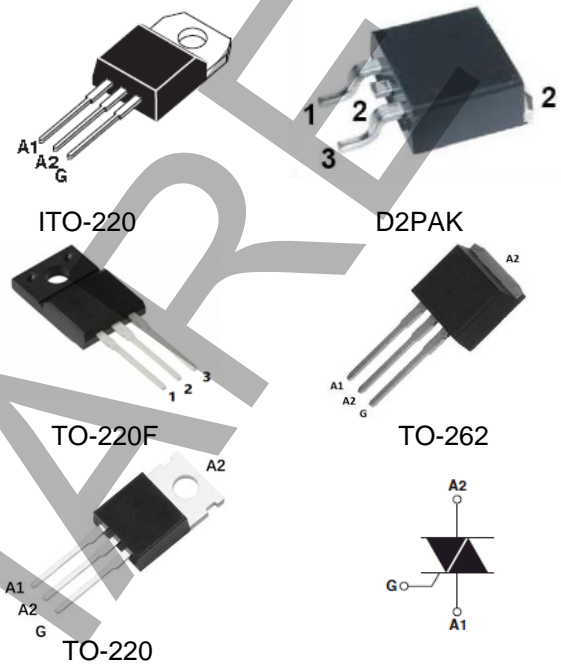
These products 16A TRIAC are packages for third quadrant, DT16T are high commutation performance without snubber circuit. It can be controlled by phase angle trigger or on/off trigger.

FEATURES

- Passivated die for reliability and uniformity
- Three-quadrant triggering TRIAC, Over 800V V_{DRM}/V_{RRM}
- 125°C operation temperature.
- Without snubber circuit.
- “Green” molding compound, UL flammability classification 94V-0, (No Br. Sb. Cl)
- Lead free in RoHS II 2015/863/EU compliant
- Moisture sensitivity meets industry standard IPC/JEDEC J-STD-020

APPLICATIONS

- General purpose AC switch control
- Control loads in Motor, Fan, and Pump.
- Solenoid drivers
- LED Dimming
- Inrush current limiting circuits



PIN ASSIGNMENT	
1	Main Terminal 1 (A1)
2	Main Terminal 2 (A2)
3	Gate

DT16T Standard TRIACs

ELECTRICAL CHARACTERISTICS ($T_j = 25^\circ\text{C}$, unless otherwise specified.)

Absolute Ratings

PARAMETER	SYMBOL	VALUE	UNIT
Peak repetitive off-state voltage ($T_j = -40$ to 125°C , Full sine wave, 50 to 60 Hz; Gate open) (Note 1)	V_{DRM} V_{RRM}	800	V
On-stage RMS current (Full sine wave, $T_c = 100^\circ\text{C}$)	$I_{T(RMS)}$	16	A
Peak non-repetitive surge current (one full cycle 60 Hz, $T_j = 25^\circ\text{C}$)	I_{TSM}	140	A
Circuit fusing consideration ($t = 8.3\text{ms}$)	I^2T	90	A^2S
Operating junction temperature range	T_j	-40 to +125	$^\circ\text{C}$
Storage temperature range	T_{STG}	-40 to +150	$^\circ\text{C}$

Note :

- (1) V_{DRM} and V_{RRM} for all types can be applied on a continuous basis.
Blocking voltages shall not be tested with a constant current source such that the voltage ratings of the devices are exceeded.

Version 03, NOV-2020

DT16T Standard TRIACs

CHARACTERISTIC & CURVES (T_j = 25°C, unless otherwise specified.)

Thermal Characteristics

PARAMETER		SYMBOL	VALUE		UNIT
Thermal resistance from junction to case (1)	ITO-220	R _{th(j-c)}	Max	10	°C/W
Junction to ambient (DC) (1)	ITO-220	R _{th(j-L)}	Max	9.5	
Maximum lead temperature for soldering purposes (1/8" form case for 10 seconds)		T _L	Max	260	°C

Note 1: Without Heatsink

Static Characteristics

PARAMETER		SYMBOL	MIN.	TYP.	MAX.	UNIT
Threshold Voltage (T _j = 125°C)		V _{to}	--	--	0.95	V
Dynamic resistors (T _j = 125°C)		R _d	--	--	30	mΩ
Peak repetitive forward or reverse blocking current (V _{AK} = rated V _{DRM} and V _{RRM} , gate open)	T _j = 25°C	I _{DRM}	--	--	5	uA
	T _j = 125°C	I _{RRM}	--	--	0.5	mA

ON Characteristics

PARAMETER	SYMBOL	DT16T10	DT16T35	.	UNIT
Peak forward on-state voltage (I _{TM} = 20 A @ T _j = 25°C)	V _{TM}	1.5	1.5	Max	V
V _D = V _{DRM} , R _L = 100Ω, T _j = 125°C	V _{GD}	0.25	0.25	Min	V
Gate trigger current (V _{AK} = 12V, R _L = 100Ω)	I _{GT1}	10	35	Max	mA
	I _{GT2}	10	35		
	I _{GT3}	10	35		
Gate trigger voltage (V _{AK} = 12V, R _L = 100Ω)	V _{GT1}	1	1	Max	V
	V _{GT2}				
	V _{GT3}				
Holding current (V _{AK} = 12V, R _L = 100Ω)	I _{H1}	10	40	Max	mA
	I _{H3}				
Latching current (V _{AK} = 12V, R _L = 100Ω)	I _{L1}	25	50	Max	mA
	I _{L2}	25	80		
	I _{L3}	25	50		

Dynamic Characteristics

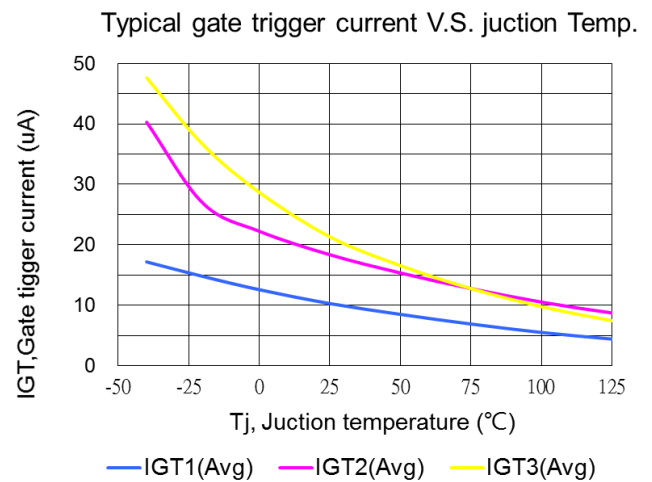
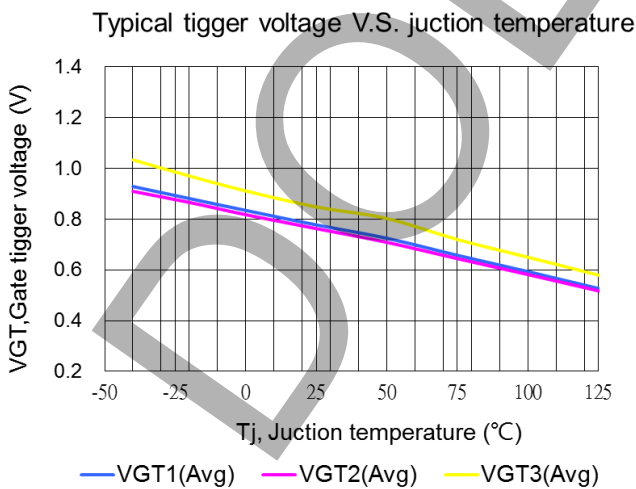
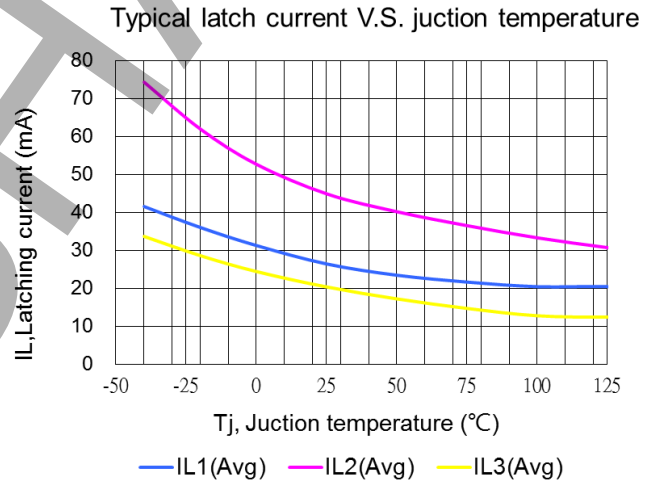
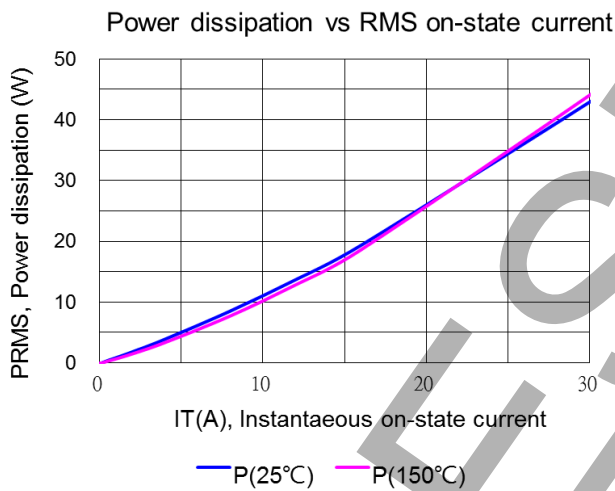
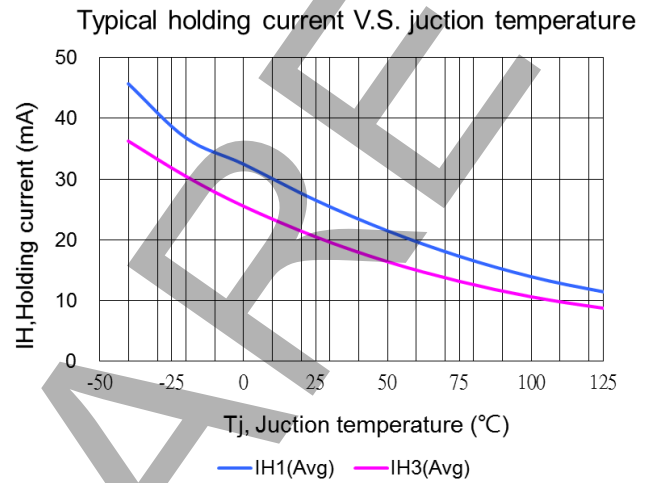
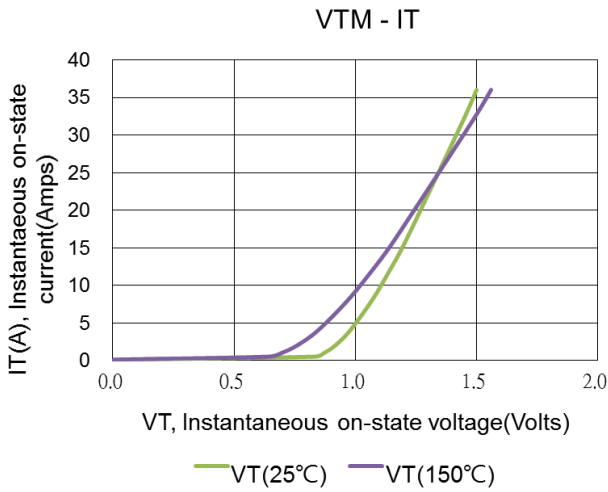
PARAMETER	SYMBOL	MIN.	TYP.		UNIT
Critical rate of rise of off-stage voltage (V _{AK} = 67% rated V _{DRM} , T _j = 125°C, gate open)	dv/dt	500	2000	Max	V/us
Critical rate of rise of on-state current, (V _{DRM} = maximum V _{DRM} , T _j = 125°C)	di/dt(s)	70	70	Max	A/us
125°C, Gate open, without snubber	di/dt(c)	2.5	4	Max	A/ms

DT16T Standard TRIACs

CHARACTERISTIC & CURVES ($T_j = 25^\circ\text{C}$, unless otherwise specified.)



DT16T35 Characteristics



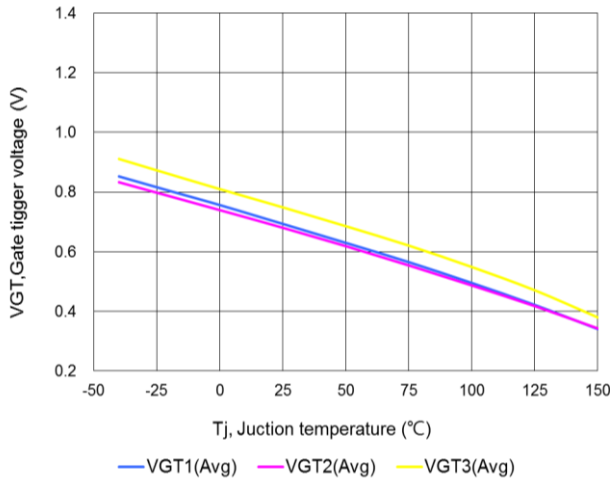
DT16T Standard TRIACs

CHARACTERISTIC & CURVES (Tj = 25°C, unless otherwise specified.)

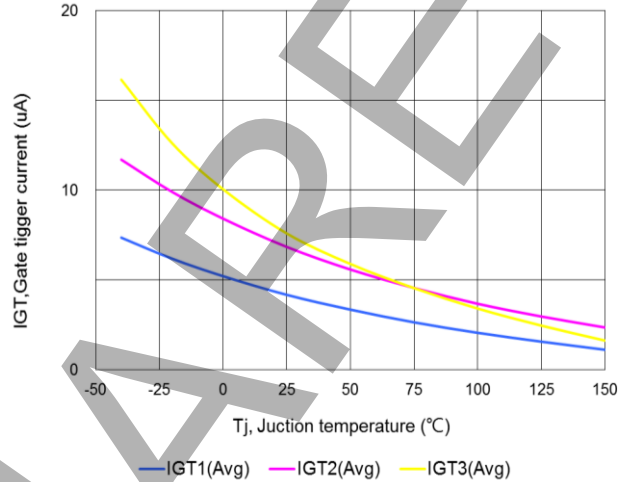


DT16T10 Characteristics

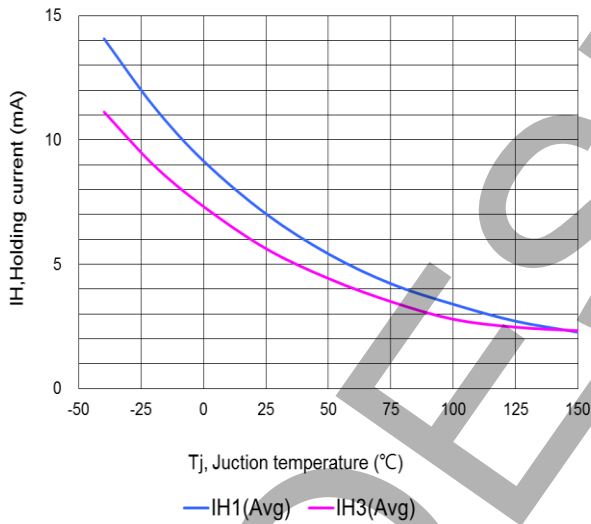
Typical gate trigger voltage V.S. junction temperature



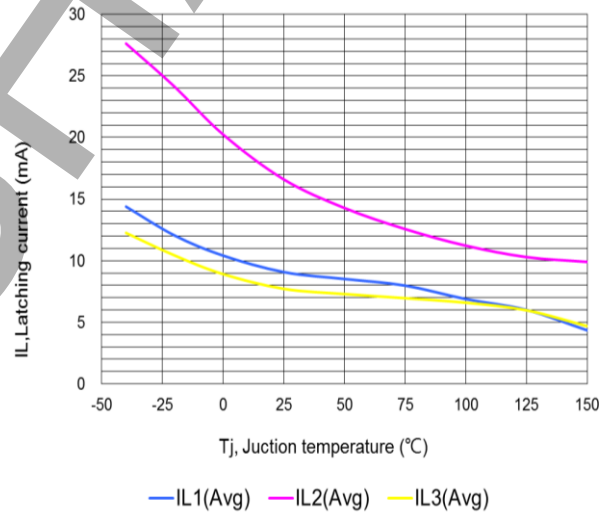
Typical gate trigger current IGT V.S. junction temperature



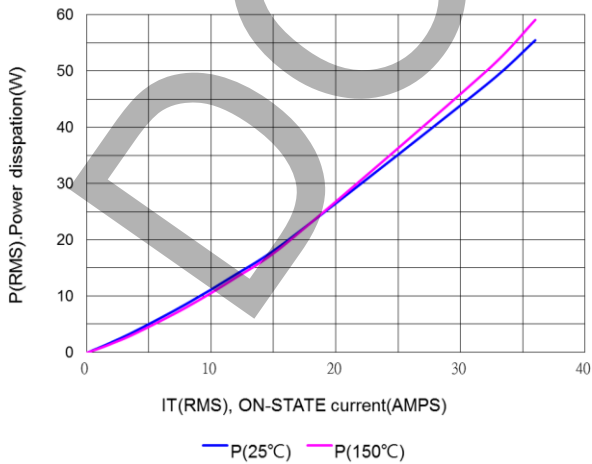
Typical holding current IH V.S. junction temperature



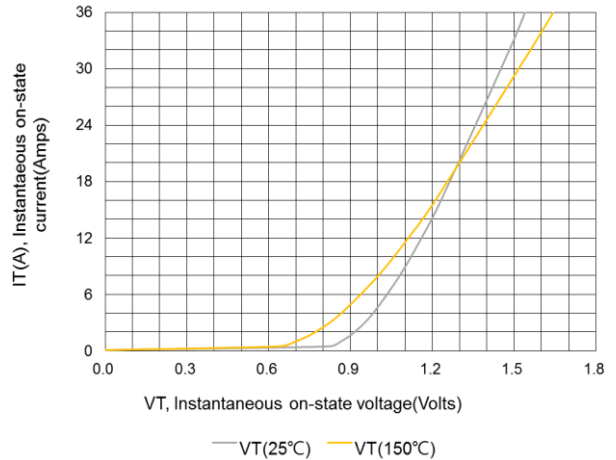
Typical latch current IL V.S. junction temperature



Power dissipation VS ON-STATE current



VTM - IT

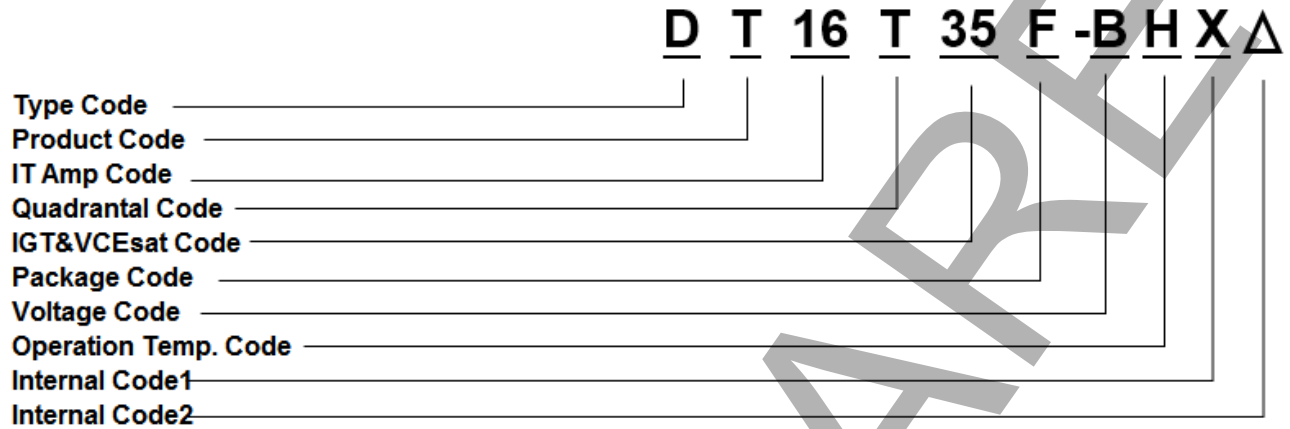


DT16T Standard TRIACs

CHARACTERISTIC & CURVES (Tj = 25°C, unless otherwise specified.)



Ordering information scheme

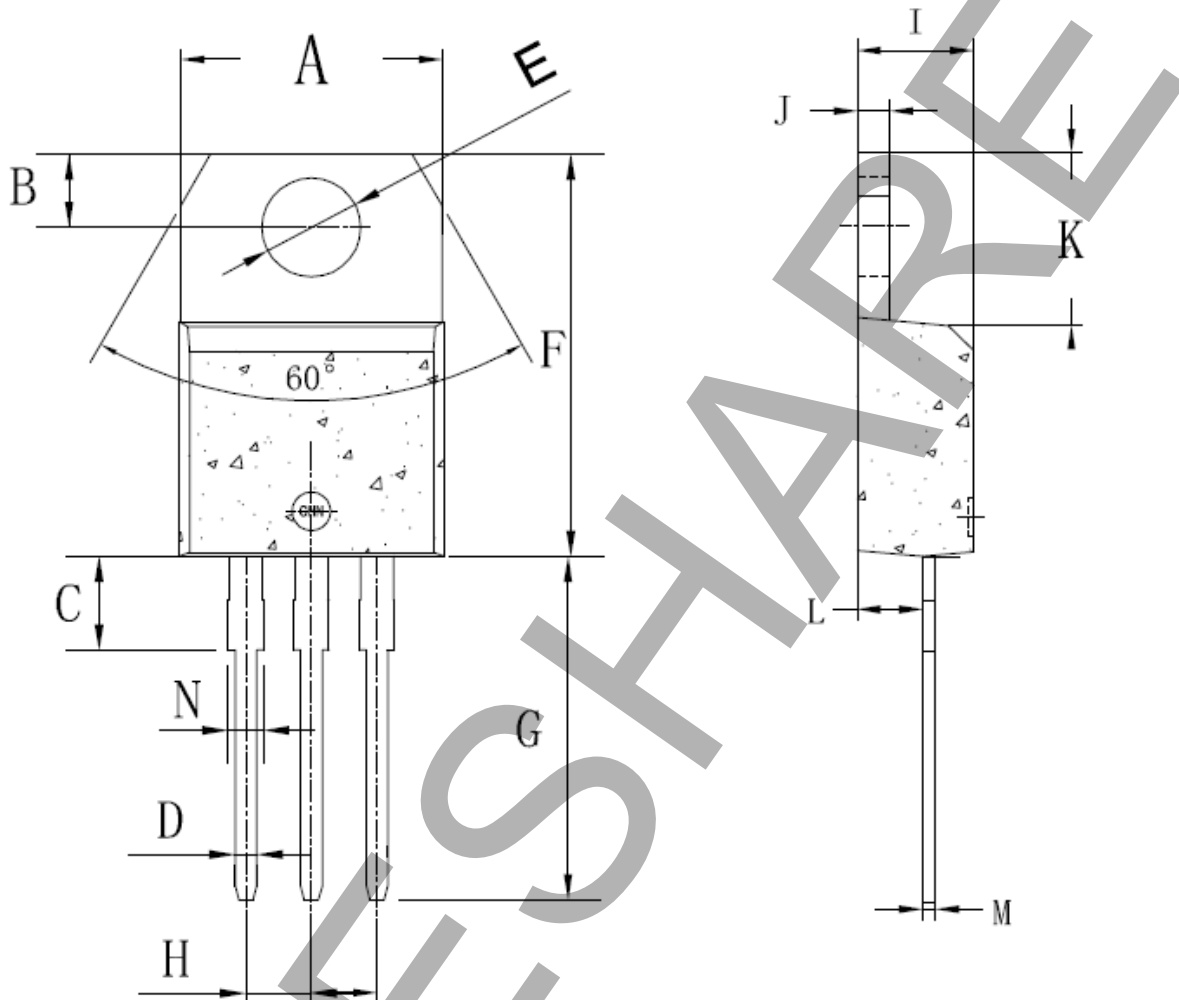


- Type Code: Doeshare Standar products
- Product Code: T for Triac series
- IT Amp Code: 16 for 16A, 1 for 1A
- Quadrantal Code: T for 3Q, F for 4Q
- IGT&VCEsat Code: 35 means Igt 35mA, 5 means Igt 5mA
- Package Code: A=>TO-92, C=>TO-126, D=> DPAK, E=>D2PAK, F=> TO-220F, G=>SOT-223
M=>ITO-3P, P=>TO-3P, T=> TO-220, Y=>TO251, X=> TO-3P-L
- Voltage Code: A=> 600V, B=> 800V, C=> 1000V
- Operation Temp Code: None=>125°C, H=>150°C

DT16T Standard TRIACs

CHARACTERISTIC & CURVES ($T_j = 25^\circ\text{C}$, unless otherwise specified.)

ITO-220 Plastic Package

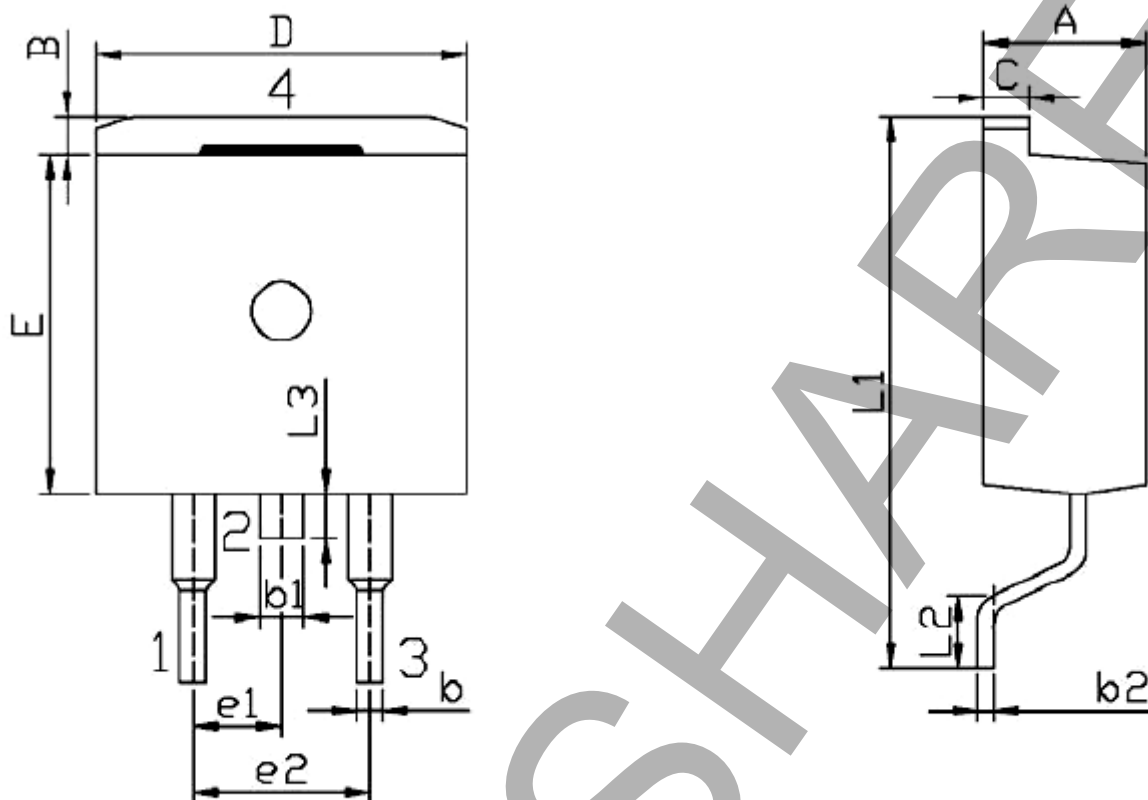


DIM	Millimeters		DIM	Millimeters		DIM	Millimeters	
	Min	Max		Min	Max		Min	Max
A	9.8	10.4	E	3.75	3.95	I	4.38	4.61
B	2.65	3.1	F	14.8	16.1	J	1.15	1.36
C	2.8	4.2	G	13.05	13.6	K	5.85	6.82
D	0.7	0.92	H	2.4	2.7	L	2.35	2.75
M	0.35	0.65	N	1.18	1.42			

DT16T Standard TRIACs

CHARACTERISTIC & CURVES ($T_j = 25^\circ\text{C}$, unless otherwise specified.)

D2PAK Plastic Package

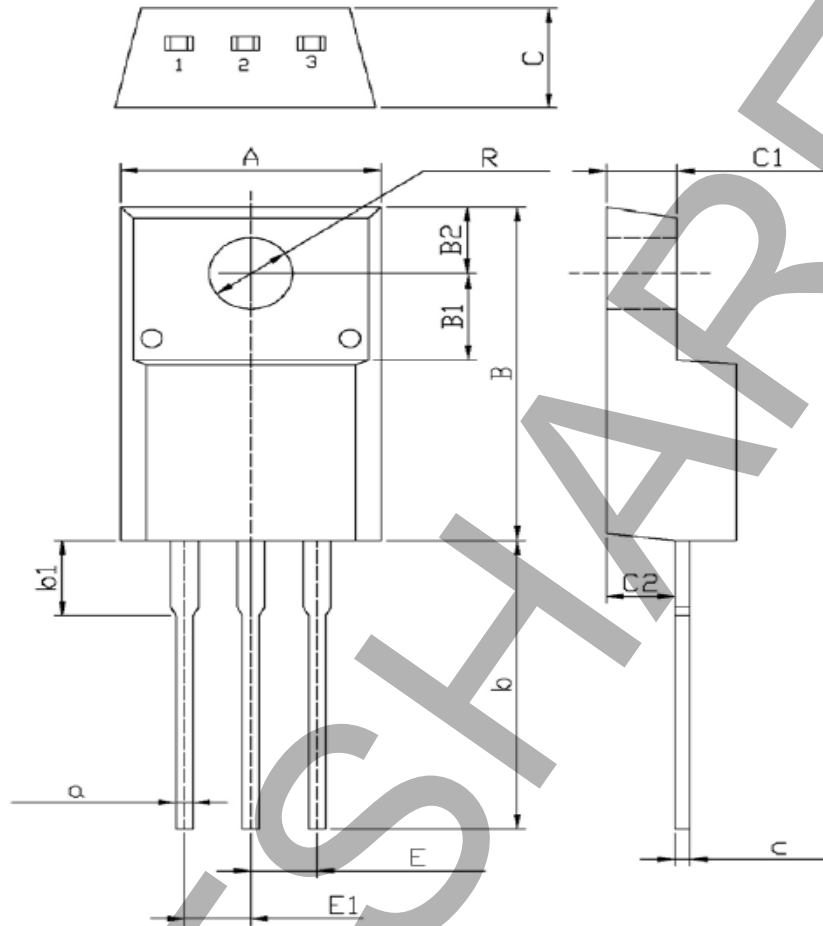


Symbol	Dimensions In Millimeters		Symbol	Dimensions In Millimeters	
	Min	Max		Min	Max
A	4.30	4.70	E	9.00	9.40
B	1.00	1.40	e1	2.34	2.74
b	0.70	0.90	e2	4.88	5.28
b1	1.15	1.35	L1	15.00	16.00
b2	0.40	0.60	L2	2.24	2.84
C	1.20	1.40	L3	1.20	1.60
D	9.80	10.20			

DT16T Standard TRIACs

CHARACTERISTIC & CURVES (T_j = 25°C, unless otherwise specified.)

TO-220F Plastic Package

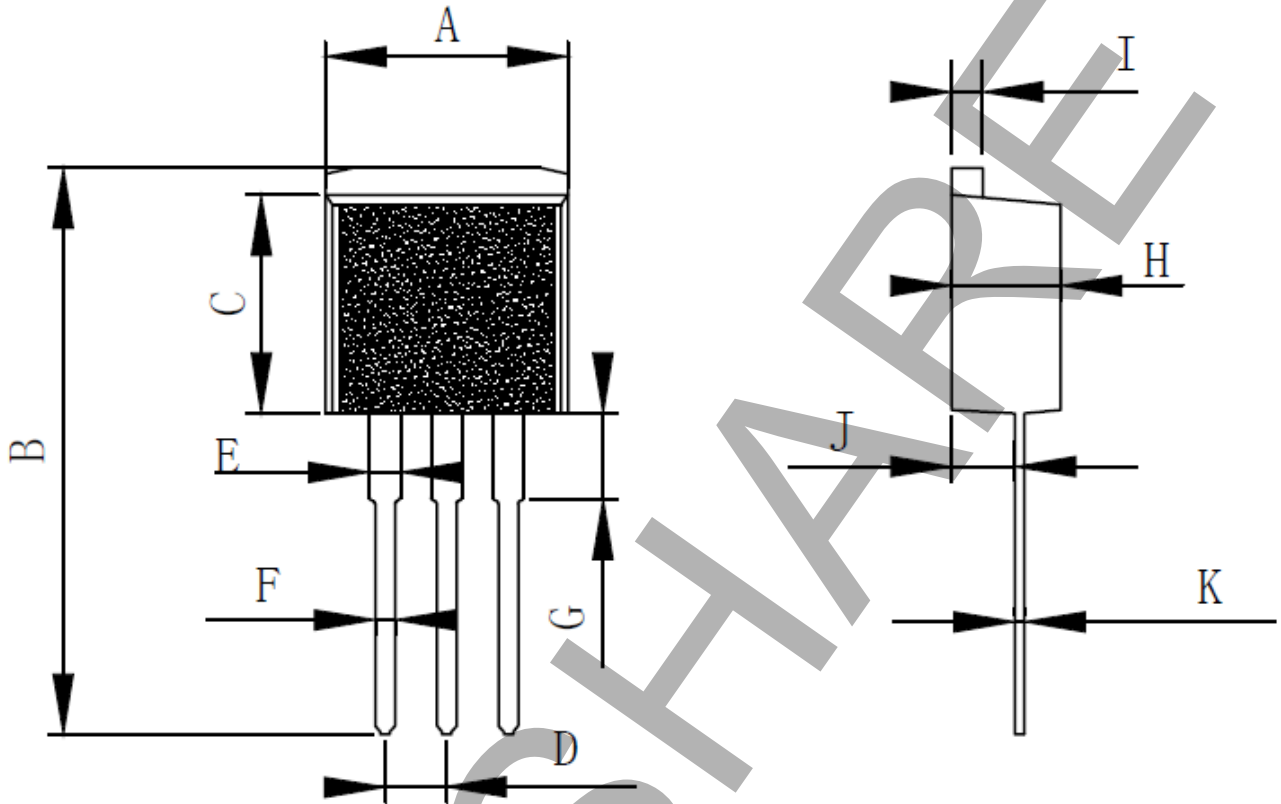


DIM	Millimeters		DIM	Millimeters		DIM	Millimeters	
	Min	Max		Min	Max		Min	Max
A	9.7	10.3	E	2.29	2.79	b	12.5	13.5
B	14.7	15.3	E1	2.29	2.79	b1	2.9	3.9
C	4.3	4.7	B1	3.8	4.0	a	0.55	0.75
C1	2.5	2.9	B2	2.9	3.1	c	0.5	0.7
C2	2.5	2.7	R	3.0	3.4			

DT16T Standard TRIACs

CHARACTERISTIC & CURVES ($T_j = 25^\circ\text{C}$, unless otherwise specified.)

TO-262 Plastic Package

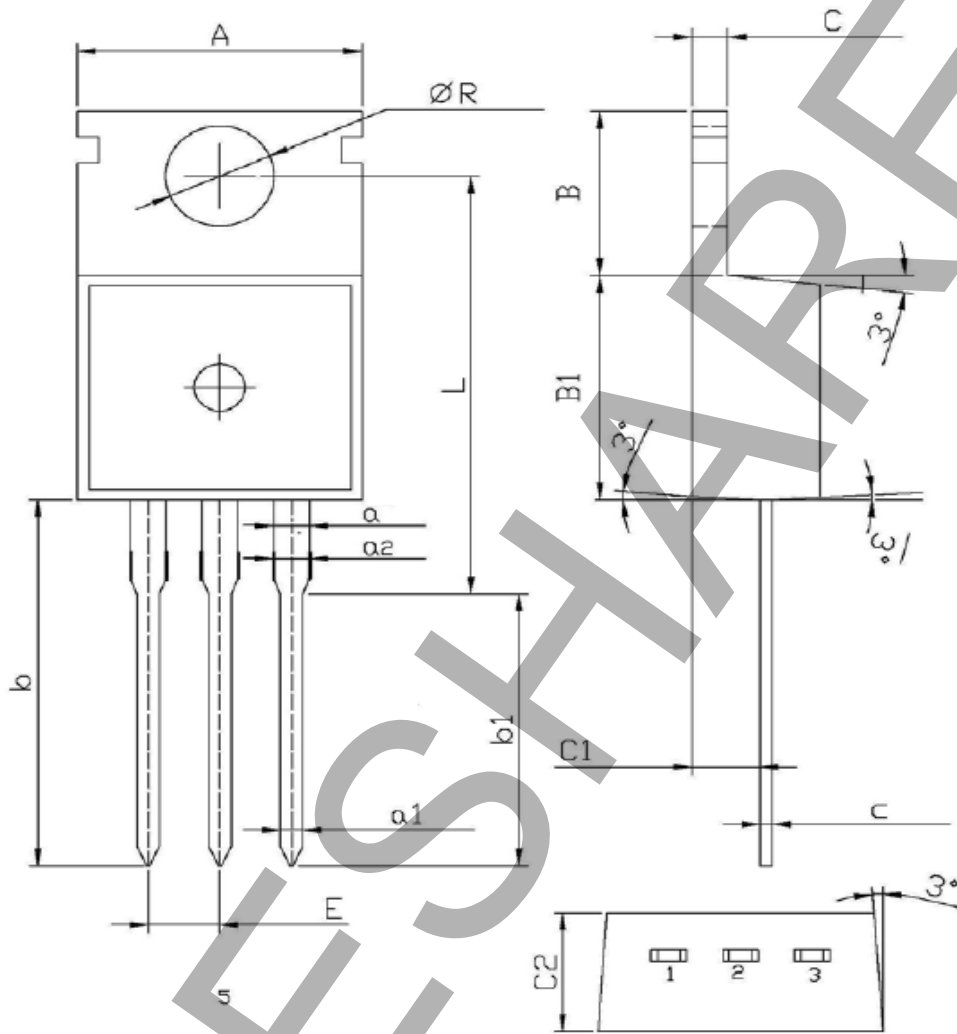


Item	Unit: mm		
	Type	Min	Max
A	10	9.95	10.2
B	23.35	23.25	23.45
C	9	8.9	9.1
D	2.54	2.5	2.6
E	1.27	1.2	1.35
F	0.8	0.75	0.85
G	3.5	3.3	3.6
H	4.5	4.45	4.55
I	1.27	1.25	1.29
J	2.6	2.5	2.7
K	0.4	0.38	0.42

DT16T Standard TRIACs

CHARACTERISTIC & CURVES (T_j = 25°C, unless otherwise specified.)

TO-220 Plastic Package



DIM	Millimeters		DIM	Millimeters		DIM	Millimeters	
	Min	Max		Min	Max		Min	Max
A	9.7	10.4	a	1.22	1.32	a2	1.18	1.45
B	6.13	6.82	a1	0.7	0.92	C2	4.3	4.71
C	1.2	1.42	b1	9.6	10.6	E	2.34	2.74
B1	9.0	9.4	c	0.38	0.65	R	3.55	3.78
b	12.6	13.6	C1	2.2	2.75	L	15.7	16.14

DT16T Standard TRIACs

CHARACTERISTIC & CURVES (Tj = 25°C, unless otherwise specified.)



Important Notice and Disclaimer

DOESHARE has used reasonable care in preparing the information included in this document, but DOESHARE does not warrant that such information is error free. DOESHARE assumes no liability whatsoever for any damages incurred by you resulting from errors in or omissions from the information included herein.

DOESHARE no warranty, representation or guarantee regarding the documents, circuits and products specification, DOESHARE reservation rights to make changes for any documents, products, circuits and specifications at any time without notice.

Purchasers are solely responsible for the choice, selection and use of the DOESHARE products and services described herein, and DOESHARE assumes no liability whatsoever relating to the choice, selection or use of the products and services described herein.

No license, express or implied, by implication or otherwise under any intellectual property rights of DOESHARE.

Resale of DOESHARE products with provisions different from the statements and/or technical features set forth in this document shall immediately void any warranty granted by DOESHARE for the DOESHARE product or service described herein and shall not create or extend in any manner whatsoever, any liability of DOESHARE.